

NOVODOOR

Novoferm Fire Proof Closure: the most safe and flexible protection

Novoferm yangın dayanımlı kapılar:
Güvenli ve esnek koruma

SINGLE DOORS

novoferm





Elite+ door one leaf.

ELITE+ fire proof door EI 60, EI 120

Certified according to EN 1634, the Elite+ fire proof door combines perfectly functionality and aesthetical aspect. Various solutions possible: painting in Ral colors, NovoPrint decorative painting, stainless steel realization, installation on gypsum carton wall.

Technical details:

- Frame in galvanized steel Z shape mm. 15/10, without bottom profile, prepared for installation of cold smoke seal.
- Leaf in galvanized steel mm. 8/10, total thickness mm. 64. High density package inside.
- Standard equipment: two adjustable hinges, couple of black handles with plate, cylinder with three keys, lock on both leaves, arm closing selector, thermo-expanding gasket on the perimeter.
- Possible installation of bottom mobile threshold, panic devices, electromagnets and door closers.
- Maximum size possible mm. 2670x2640h.



Screwed and adjustable hinges.



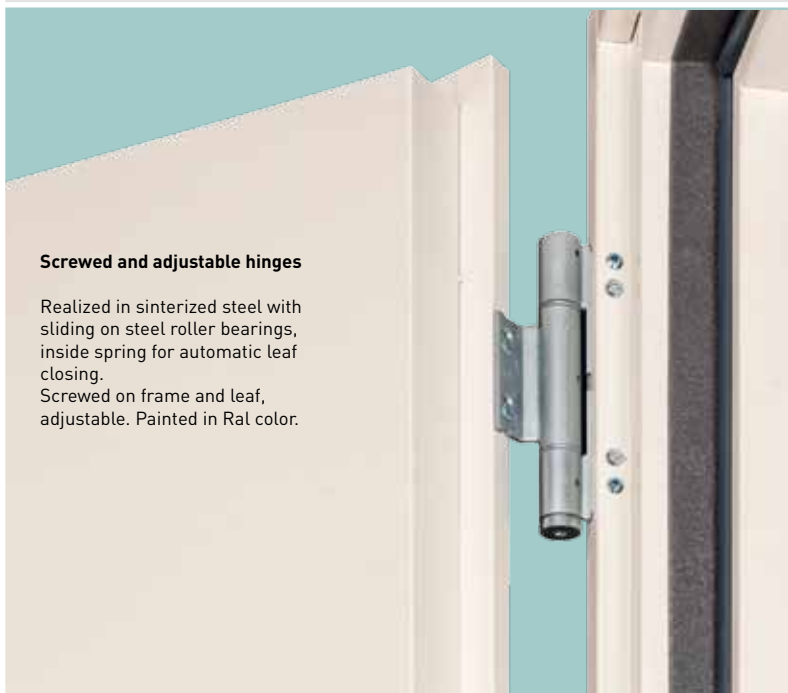
Security bolts



Lock frame point.



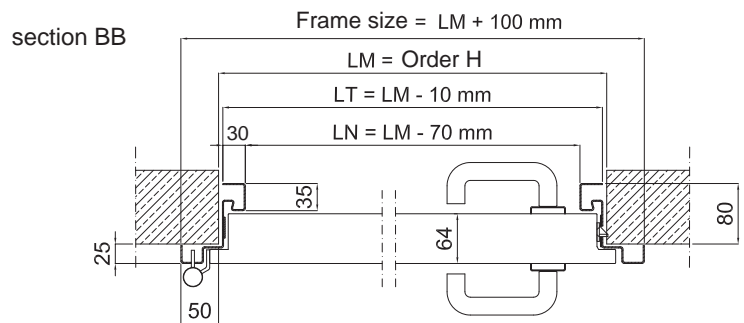
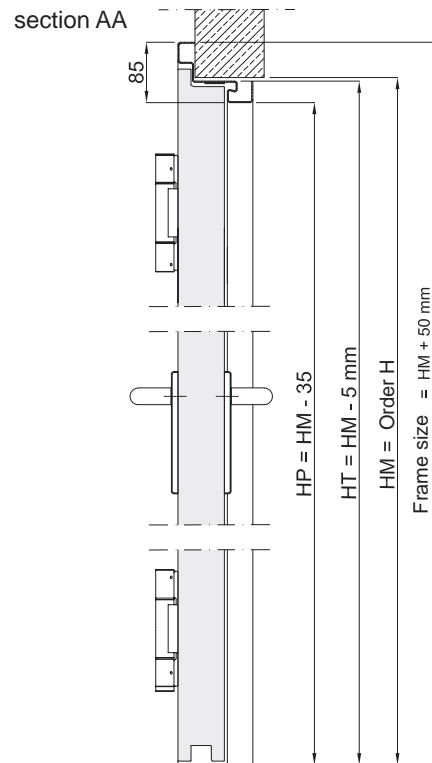
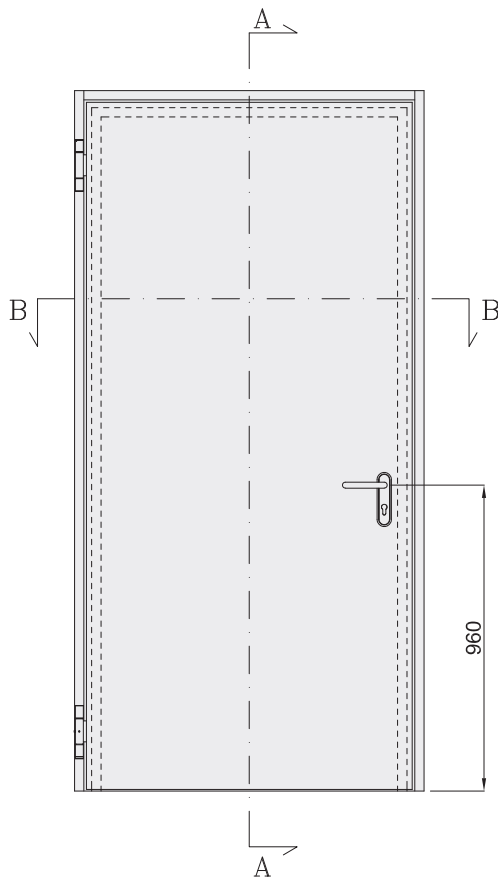
Detail top leaf/frame.



Screwed and adjustable hinges

Realized in sinterized steel with sliding on steel roller bearings, inside spring for automatic leaf closing. Screwed on frame and leaf, adjustable. Painted in Ral color.

ELITE PREMIO Single Door



Elite Premio fire door. Certified according to European standard EN 1634 with fire resistance class EI 60, EI 120

Consists of:

- 15/10 mm thick "Z-shaped galvanised steel frame, to make the door panel perfectly flush with the frame, with cold smoke seal compartment;
- the frame is mechanically joint to the corners without welding. The electrogalvanised coating remains intact at all points, without the corrosion that typically occurs in welded joints;
- the panel is flush with the double galvanised steel frame - 8/10 thick, bent, boxed, electrowelded, with high-density internal insulation. Total door thickness mm. 64;
- 20 mm thick door panel, to minimise the risk of injuries in the event of impact against people;
- 2 pressed steel spring hinges per door leaf, sliding on tempered anti-friction bushings, designed for intensive use and high load conditions. As a standard, they are painted in the same colour as the door. Adjustable at any time with special screws; cannot be reached when the door is closed. Hinges are mechanically fastened to the door and therefore can be replaced in case of long, heavy use, according to Italian Ministerial Decree M.I. 64 of 10/03/98, Ministerial Decree M.I. 21/06/04 (GU 155 of 05/07/04) and T.U. 81/2008 for escape routes;
- self-closing mechanism with spring in the hinges (adjustable);
- sealing bolts between the two hinges;

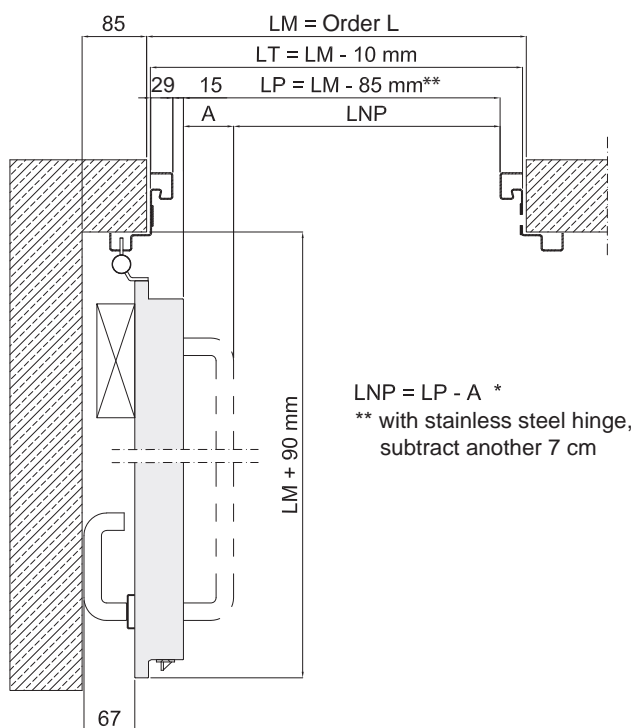
- Yale type lock with three-key cylinder;
- black PVC handle with steel core, "U" shaped for accidental grips, placed at 960 mm from the floor, according to Italian Presidential Decree 503 of 24/07/96, unless otherwise requested by the customer;
- thermal seal all around the frame;
- surfaces with category Z140 galvanised coating (minimum zinc mass 140 g/sqm per surface), finished with embossed and/or textured epoxy polyester powder for internal use, 120 microns thick (RAL colours: see list on page 1);
- arranged for the installation of a movable drop-bar seal.

Available with CE marking

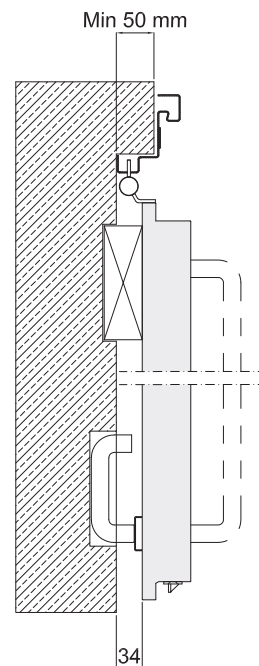
- EXTERNAL PEDESTRIAN DOORS as per EN 16034 and EN 14351-1
- INDUSTRIAL DOOR according to EN 16034 and EN 13241

Nominal situation

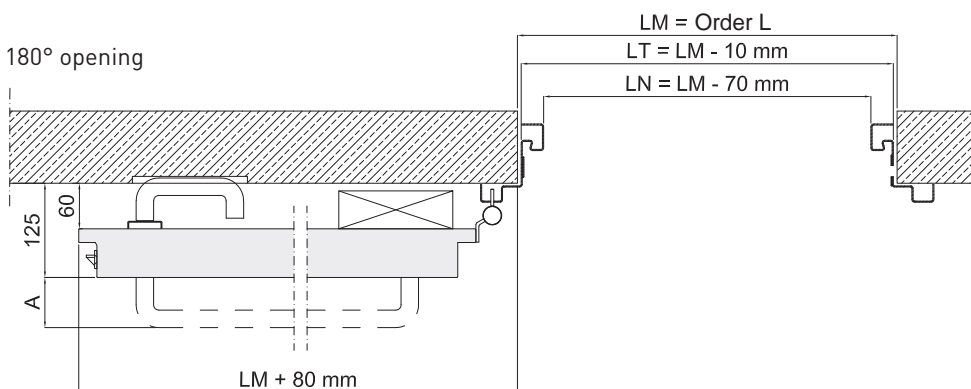
90° opening



Limit situation



180° opening



* Panic bar size

style	size	"A" **
Novoguard	79 mm	0 mm
Novopush	73 mm	0 mm
Cisa Touch	75 mm	0 mm
Cisa lever handle	105 mm	105 mm
EPN Touch	80 mm	0 mm
EPN Bar	103 mm	103 mm

** According to Italian Ministerial Decree 03.08-2015, par. G. 1.9.16

finished wall hole order size (LM x HM)	external frame (LT x HT)	clear width (LN x HN) 180° opening	clear width (LP x HP) 90° opening
---	--------------------------------	---	--

STANDARD DOORS H = 2050

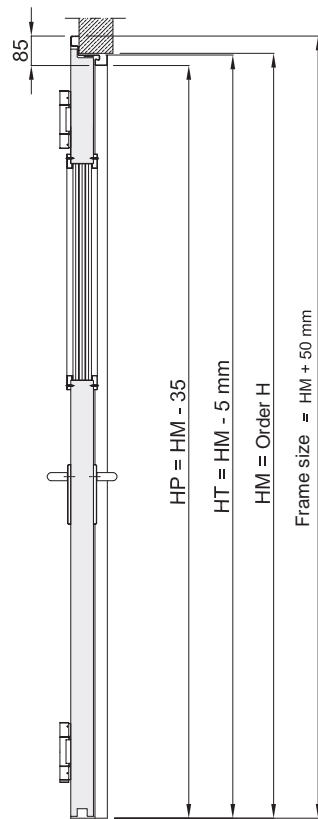
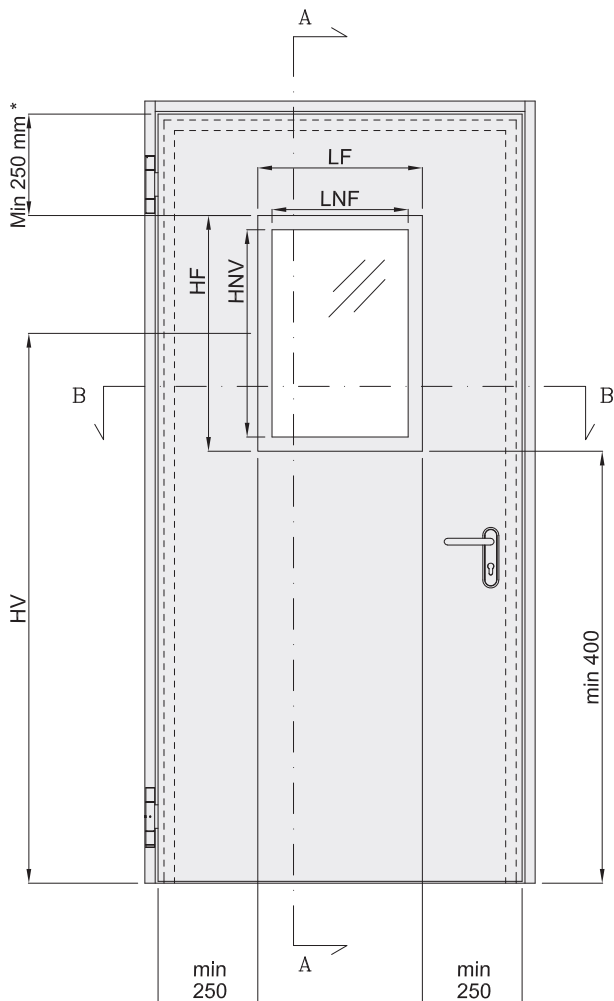
800 x 2050	790 x 2045	730 x 2015	717 x 2015
900 x 2050	890 x 2045	830 x 2015	817 x 2015
1000 x 2050	990 x 2045	930 x 2015	917 x 2015
1250 x 2050	1240 x 2045	1180 x 2015	1167 x 2015
1300 x 2050	1290 x 2045	1230 x 2015	1217 x 2015
1350 x 2050	1340 x 2045	1280 x 2015	1267 x 2015

STANDARD DOORS H = 2150

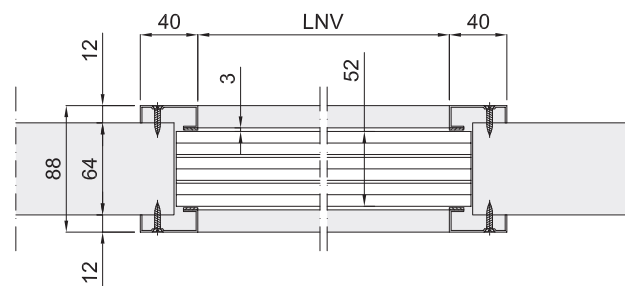
800 x 2150	790 x 2145	730 x 2115	717 x 2115
900 x 2150	890 x 2145	830 x 2115	817 x 2115
1000 x 2150	990 x 2145	930 x 2115	917 x 2115
1250 x 2150	1240 x 2145	1180 x 2115	1167 x 2115
1300 x 2150	1290 x 2145	1230 x 2115	1217 x 2115
1350 x 2050	1340 x 2145	1280 x 2115	1267 x 2115

N.B. All measurements are given in mm.

ELITE PREMIO Door with glass



Example with glass EI 120



* minimum distance from the edge for fire certification. This does not apply to Metal doors.

- Rectangular or circular glass panels are supplied on request.
- We use REI fire-rated laminated glass, consisting of several glass sheets filled with a clear material that turns to an opaque foam during a fire.
- The glass is fastened with pressed steel mouldings that are screwed to the door, with special self-extinguishing seals that do not keep the material inside the glass from swelling at high temperatures.
- Supplied in standard sizes or in special sizes on request.

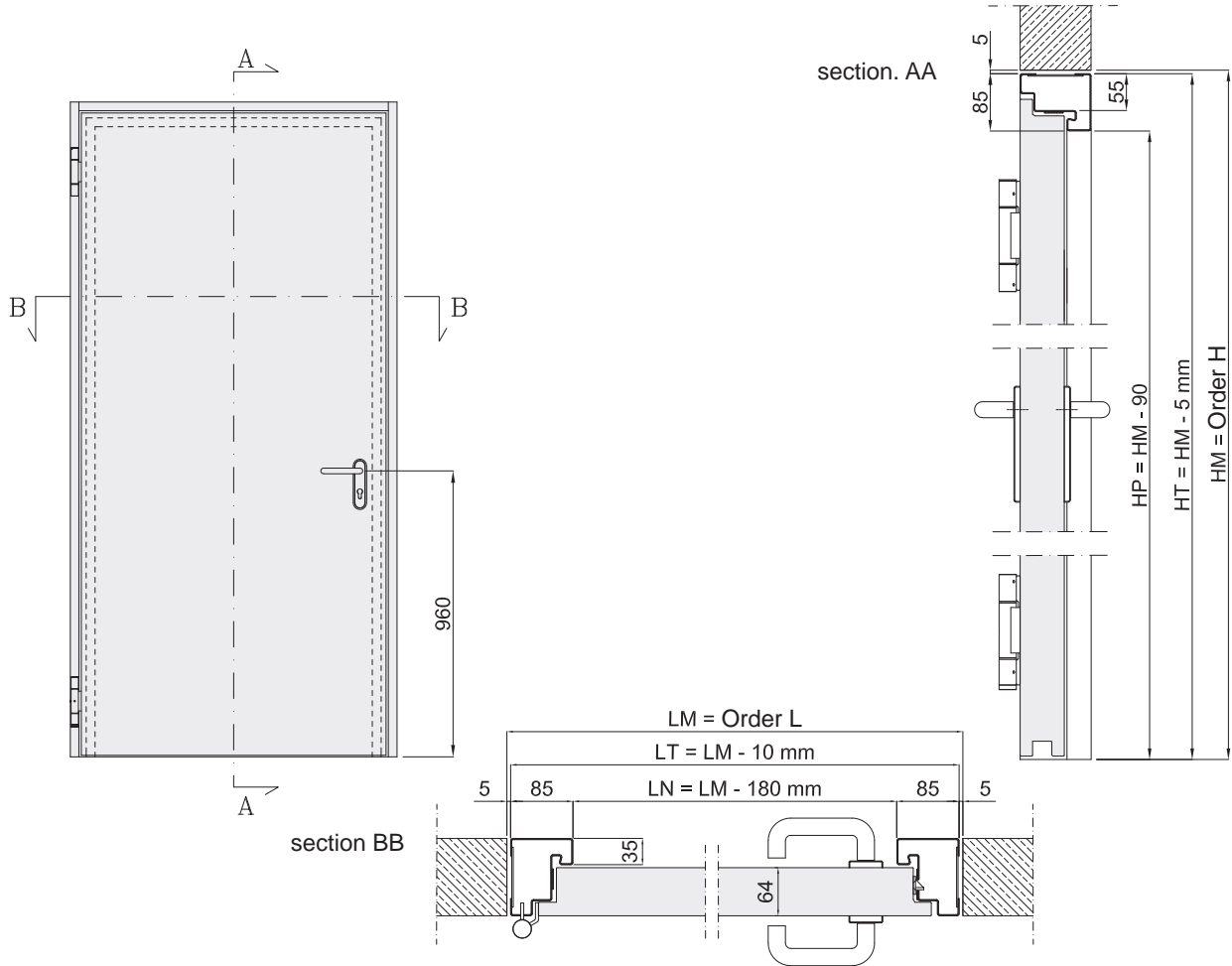
NOTES

- For glass sizes greater than 300x400 and in case of frequent use, it is advisable to use a door closer.
- Glass is always pre-assembled.
- Fire-rated glass deteriorates when exposed to direct sunlight or in contact with water.
- Because of the particular construction method, the glass may include microspheres and imperfections; complaints will not be accepted if these are invisible from a distance of more than 3 metres.

height glass centreline	glass size	clear width external	glass glazing bead
(HV)	(L nom. x H nom.)	(LNV x HNV)	(LF x HF)
1550	300 x 400	270 x 370	350 x 450
1500	400 x 600	370 x 570	450 x 650
1550	Ø 400	370	Ø 450

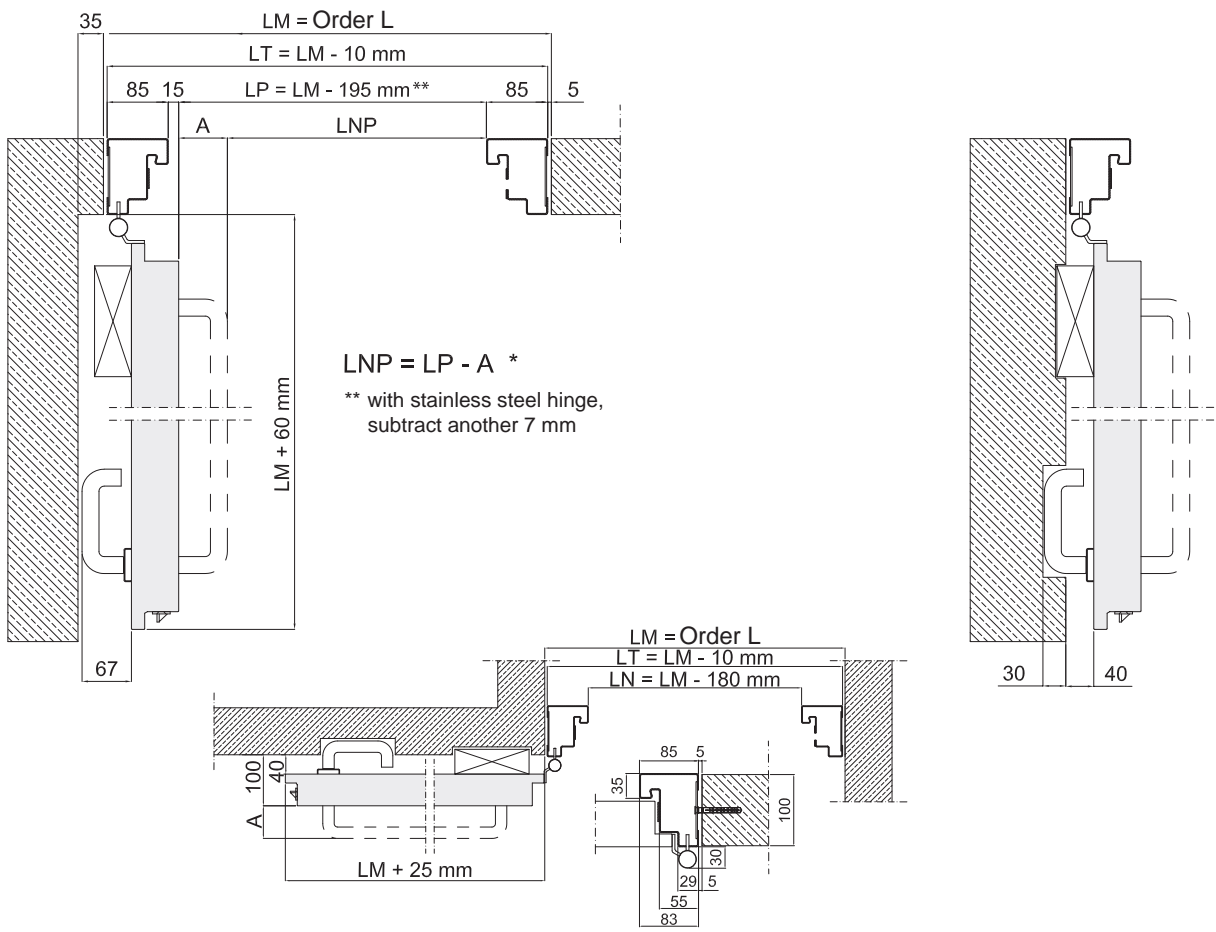
N.B.: All measurements are given in mm.

ELITE PREMIO with L2 frame, single door

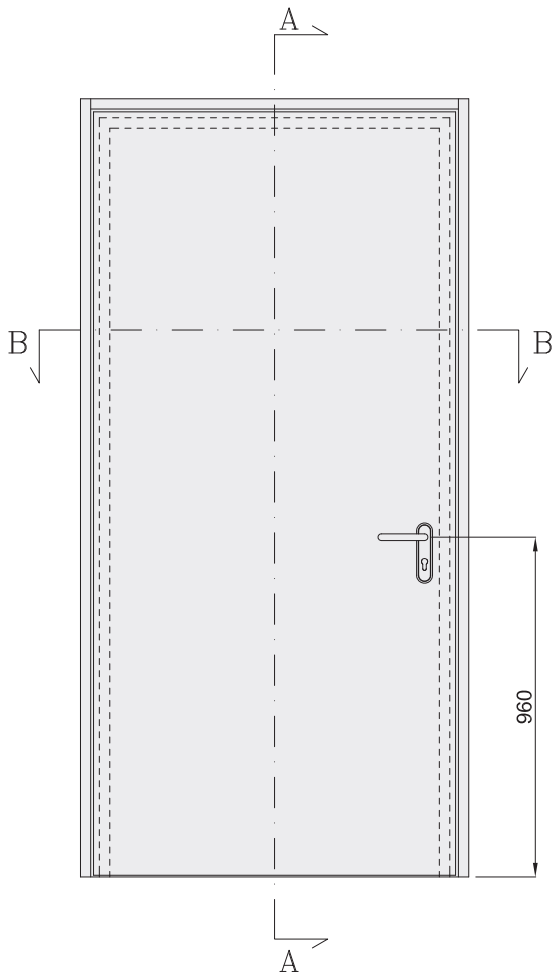


Nominal situation

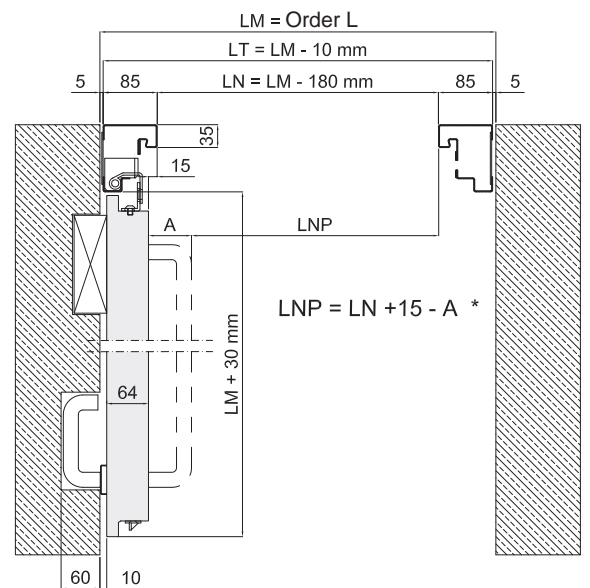
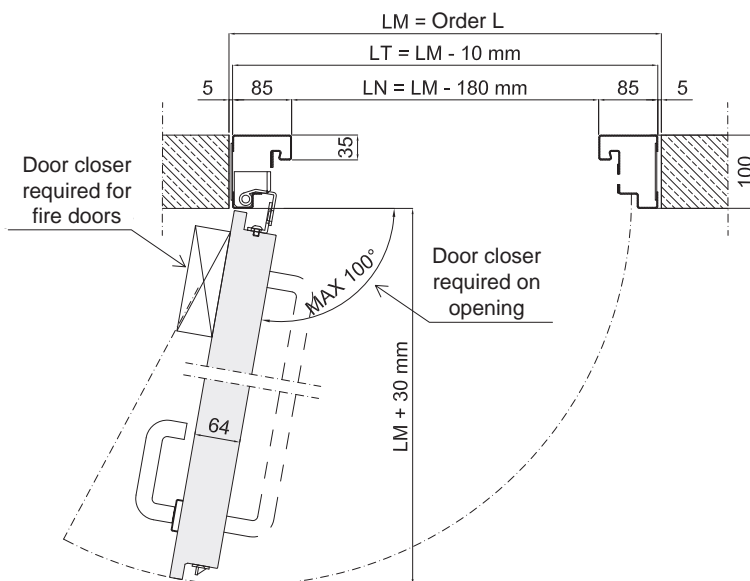
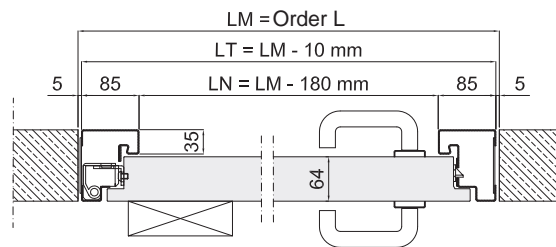
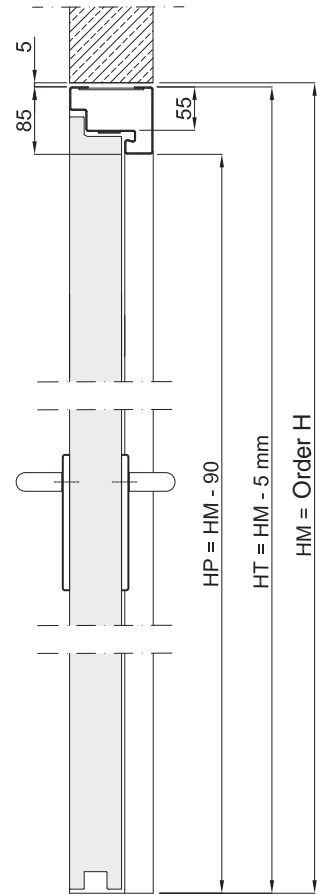
Limit situation



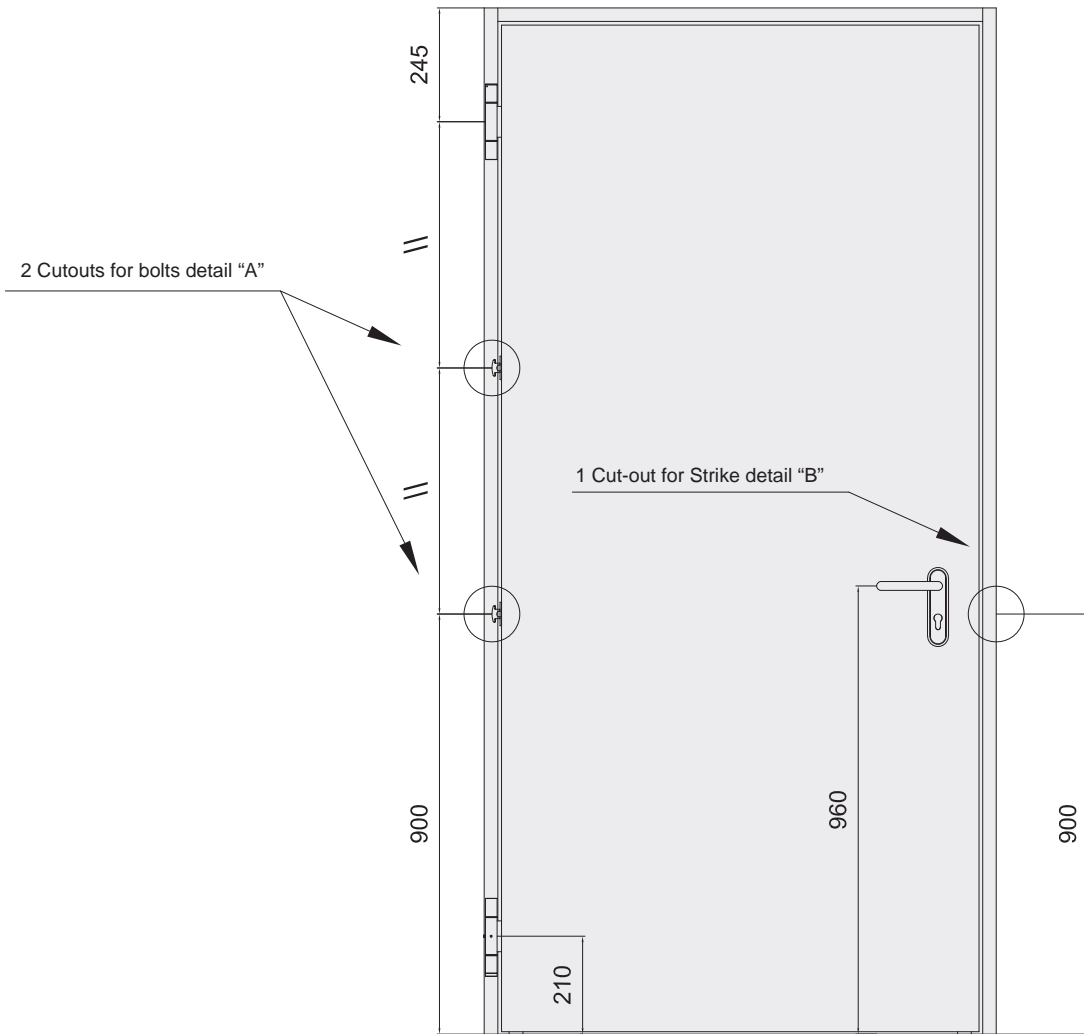
ELITE PREMIO L2 with hidden hinge, single door



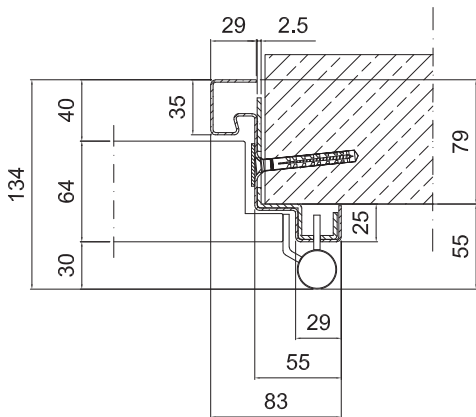
section AA



ELITE PREMIO details



Hinge detail



BOLT detail A

